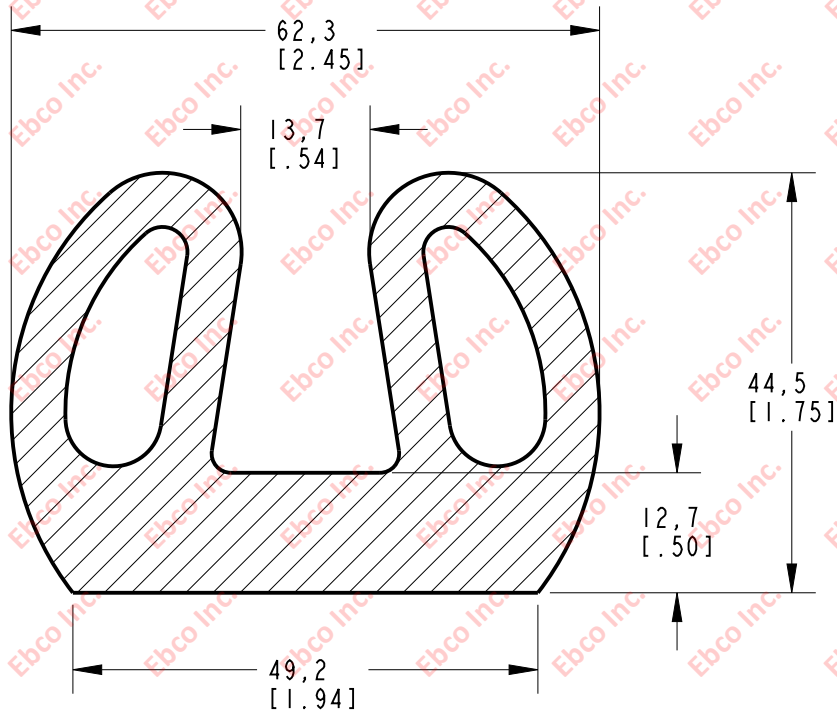


ER570

DWG. NO.



MATERIAL: DENSE EPDM

	TITLE: ER570	
	THE INFORMATION CONTAINED IN THIS DRAWING IS THE SOLE PROPERTY OF EBCO ANY REPRODUCTION IN PART OR AS A WHOLE WITHOUT THE WRITTEN PERMISSION OF EBCO IS PROHIBITED.	
	TOLERANCES PER RMA STANDARD E3	REV. A
	DATE: 12-19-22	UNITS: mm [INCH]
1330 HOLMES RD. ELGIN, IL 60123		
SPECIFICATIONS SUBJECT TO CHANGE		