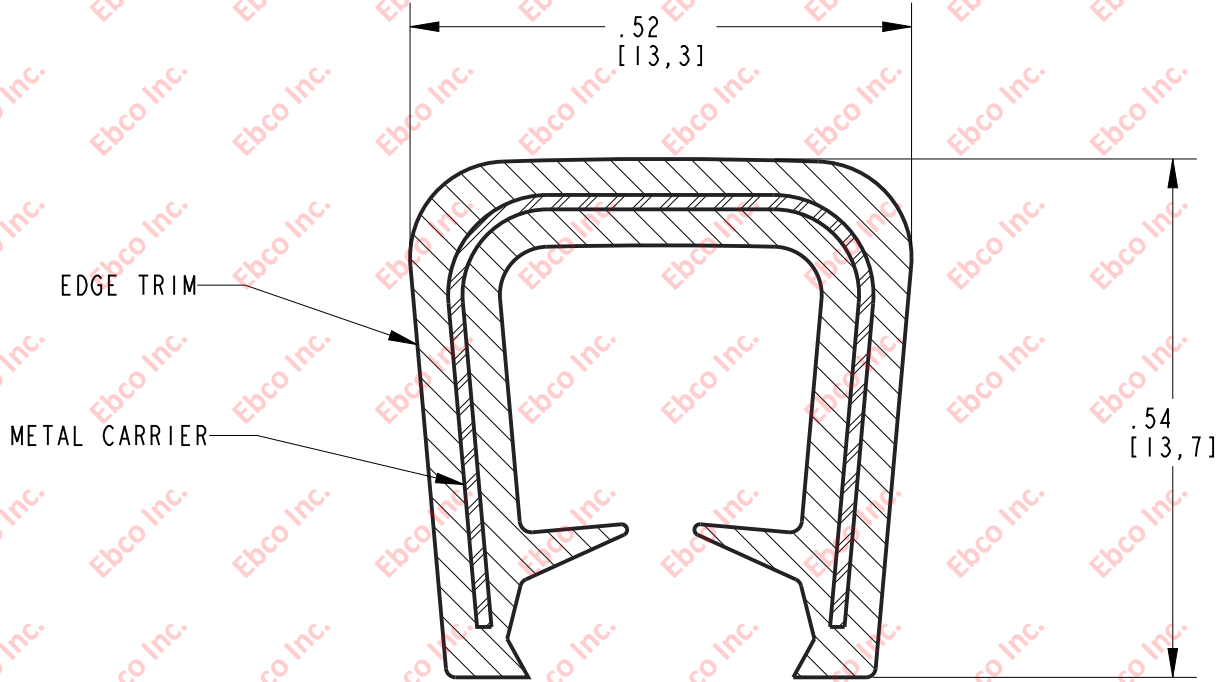


ET250

DWG. NO.

B

A



CLAMPING RANGE: .09 [2.27] - .18 [4.68]
 EDGE TRIM: DENSE EPDM
 METAL CARRIER: STEEL



TITLE: ET250		
THE INFORMATION CONTAINED IN THIS DRAWING IS THE SOLE PROPERTY OF EBCO ANY REPRODUCTION IN PART OR AS A WHOLE WITHOUT THE WRITTEN PERMISSION OF EBCO IS PROHIBITED.		
TOLERANCES PER RMA STANDARD E3	REV. A	DATE: 06-21-17
		UNITS: INCH [MM]
1330 HOLMES RD. ELGIN, IL 60123		

SPECIFICATIONS SUBJECT TO CHANGE

2