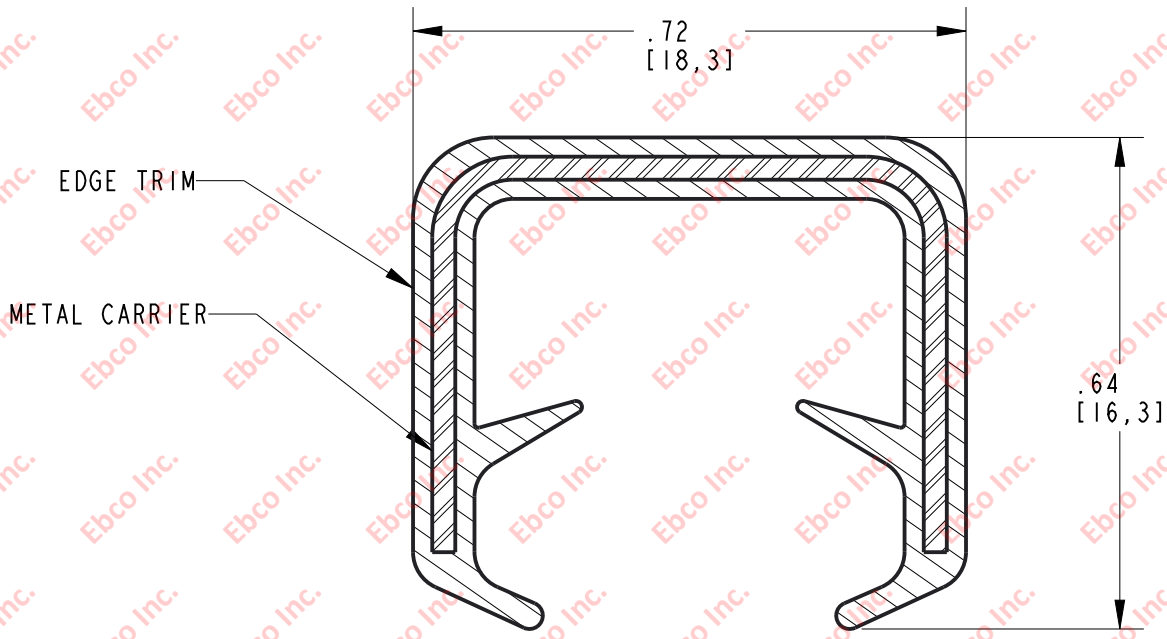


ET300

DWG. NO.

B

A



CLAMPING RANGE:  $.37$  [9.43]  
 EDGE TRIM: DENSE EPDM  
 METAL CARRIER: STEEL



TITLE: ET300		
THE INFORMATION CONTAINED IN THIS DRAWING IS THE SOLE PROPERTY OF EBCO. ANY REPRODUCTION IN PART OR AS A WHOLE WITHOUT THE WRITTEN PERMISSION OF EBCO IS PROHIBITED.		
TOLERANCES PER RMA STANDARD E3	REV. A	DATE: 06-22-17
		UNITS: INCH [MM]

1330 HOLMES RD. ELGIN, IL 60123

SPECIFICATIONS SUBJECT TO CHANGE

2