

ET400

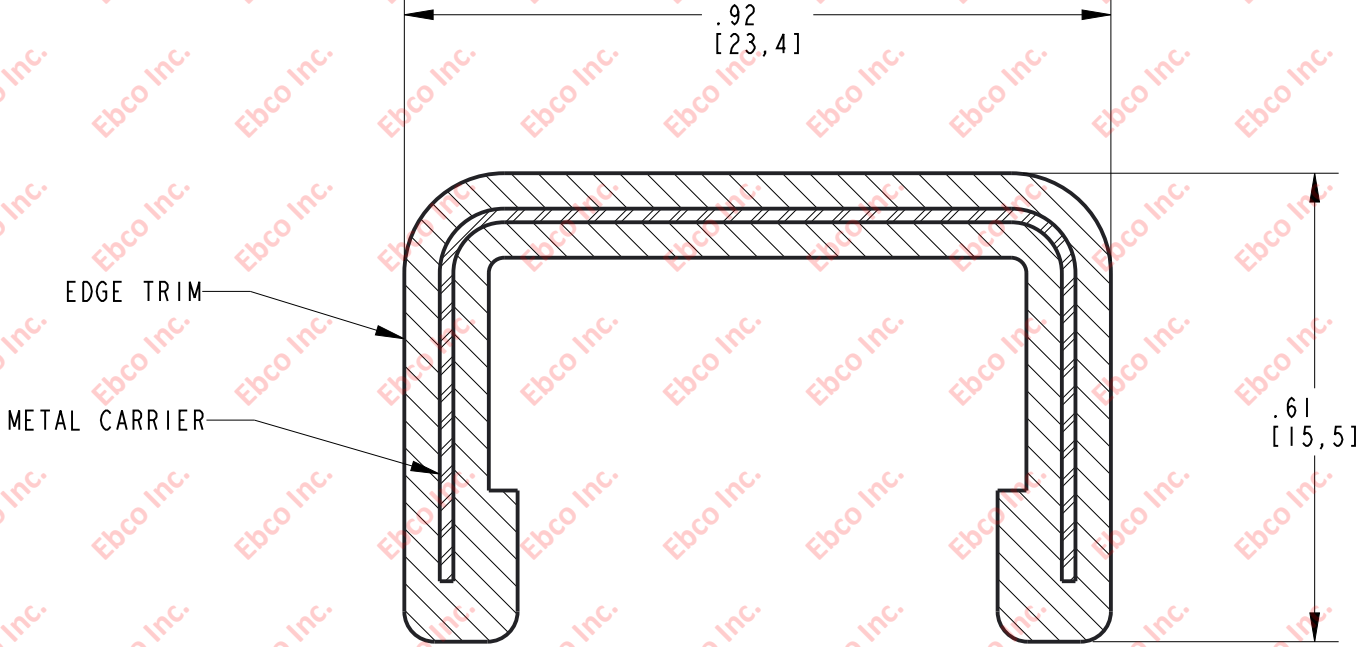
DWG. NO.

B

A

2

2



CLAMPING RANGE: .625 [15.875]  
 EDGE TRIM: DENSE EPDM  
 METAL CARRIER: STEEL



TITLE: ET400		
THE INFORMATION CONTAINED IN THIS DRAWING IS THE SOLE PROPERTY OF EBCO. ANY REPRODUCTION IN PART OR AS A WHOLE WITHOUT THE WRITTEN PERMISSION OF EBCO IS PROHIBITED.		
TOLERANCES PER RMA STANDARD E3	REV. A	DATE: 06-02-17
		UNITS: INCH [MM]
1330 HOLMES RD. ELGIN, IL 60123		

SPECIFICATIONS SUBJECT TO CHANGE

B

A