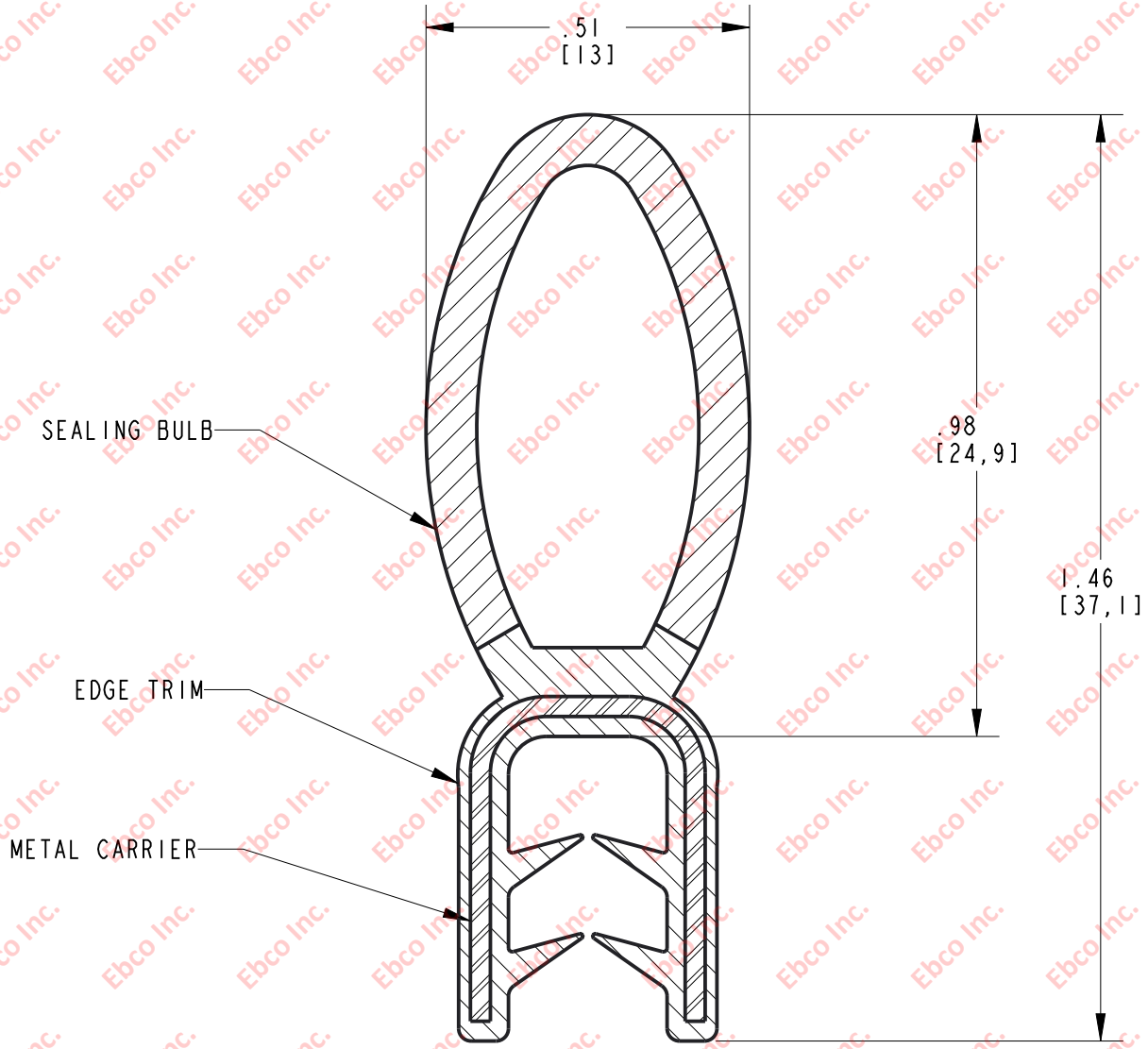


MC1075

DRG NO.

B

A



CLAMPING RANGE: $.06$ [1.47] - $.18$ [4.68]
 EDGE TRIM: DENSE EPDM
 SEALING BULB: SPONGE EPDM
 METAL CARRIER: STEEL



| | | |
|---|--------|-----------------|
| TITLE: MC1075 | | |
| THE INFORMATION CONTAINED IN THIS DRAWING IS THE SOLE PROPERTY OF EBCO ANY REPRODUCTION IN PART OR AS A WHOLE WITHOUT THE WRITTEN PERMISSION OF EBCO IS PROHIBITED. | | |
| TOLERANCES PER RMA STANDARD E3 & BEC2 | REV. A | DATE: 05-30-17 |
| | | UNITS INCH [MM] |
| 1330 HOLMES RD. ELGIN, IL 60123 | | |

SPECIFICATIONS SUBJECT TO CHANGE

2