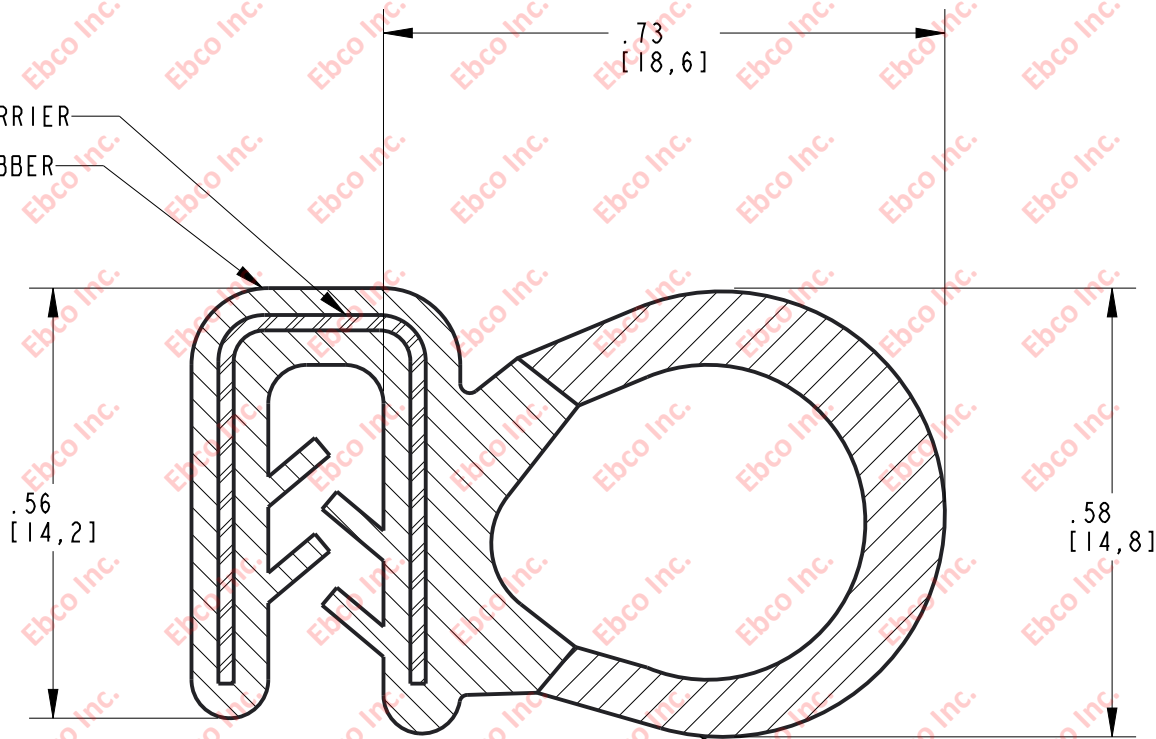


MC5110

DWG. NO.

METAL CARRIER  
DENSE RUBBER



SEALING BULB

CLAMPING RANGE: .02 [ .60 ] - .09 [ 2.39 ]  
EDGE TRIM: DENSE EPDM  
SEALING BULB: SPONGE EPDM  
METAL CARRIER: STEEL



TITLE: MC5110		
THE INFORMATION CONTAINED IN THIS DRAWING IS THE SOLE PROPERTY OF EBCO. ANY REPRODUCTION IN PART OR AS A WHOLE WITHOUT THE WRITTEN PERMISSION OF EBCO IS PROHIBITED.		
TOLERANCES PER RMA STANDARD E3 & BEC2	REV. A	DATE: 07-31-17
		UNITS INCH [MM]

1330 HOLMES RD. ELGIN, IL 60123

SPECIFICATIONS SUBJECT TO CHANGE