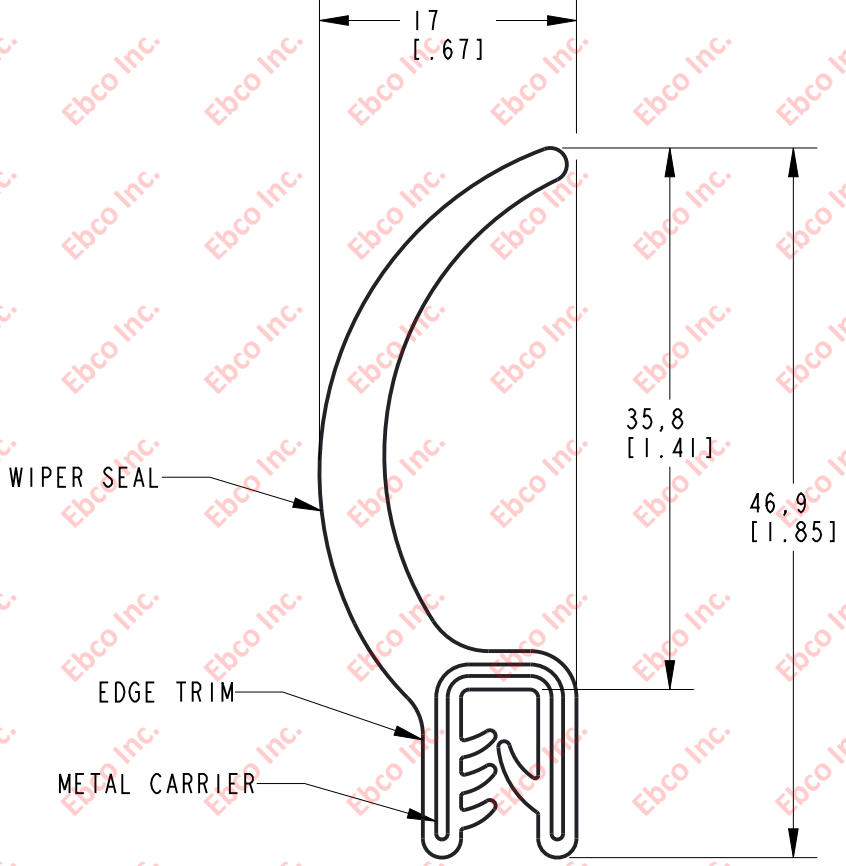



MC9040



CLAMPING RANGE: 0.85 [0.03] - 2.37 [0.09]  
 EDGE TRIM: DENSE EPDM  
 WIPER SEAL: DENSE EPDM  
 METAL CARRIER: STEEL

	TITLE: MC9040	
	<small>THE INFORMATION CONTAINED IN THIS DRAWING IS THE SOLE PROPERTY OF EBCO ANY REPRODUCTION IN PART OR AS A WHOLE WITHOUT THE WRITTEN PERMISSION OF EBCO IS PROHIBITED.</small>	
	TOLERANCES PER RMA STANDARD E3	REV. A
	DATE: 03-10-22	UNITS: mm [INCH]
1330 HOLMES RD. ELGIN, IL 60123		
SPECIFICATIONS SUBJECT TO CHANGE		