

MC9300

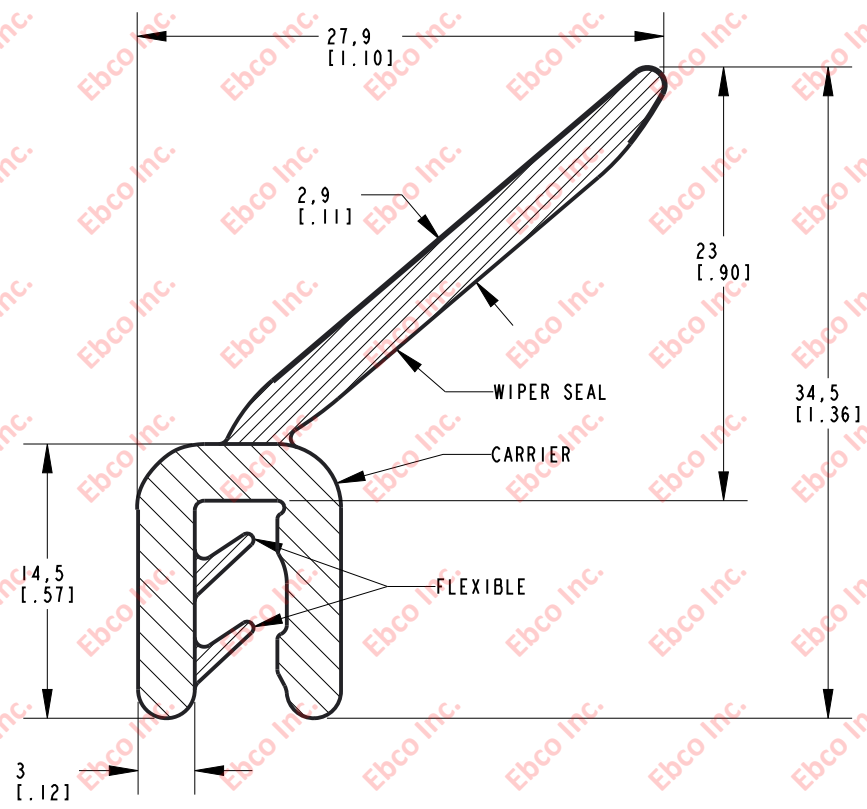
IMP. NO.

B

A

2

2



CLAMP RANGE: 2.98 [0.117] - 3.57 [0.141]
 EDGE TRIM: RIGID PVC
 WIPER SEAL: FLEXIBLE PVC



TITLE: MC9300		
THE INFORMATION CONTAINED IN THIS DRAWING IS THE SOLE PROPERTY OF EBCO. ANY REPRODUCTION IN PART OR AS A WHOLE WITHOUT THE WRITTEN PERMISSION OF EBCO IS PROHIBITED.		
TOLERANCES PER RMA STANDARD A3	REV. A	DATE: 03-29-23
		UNITS: mm [INCH]
1330 HOLMES RD. ELGIN, IL 60123		
SPECIFICATIONS SUBJECT TO CHANGE		

B

A