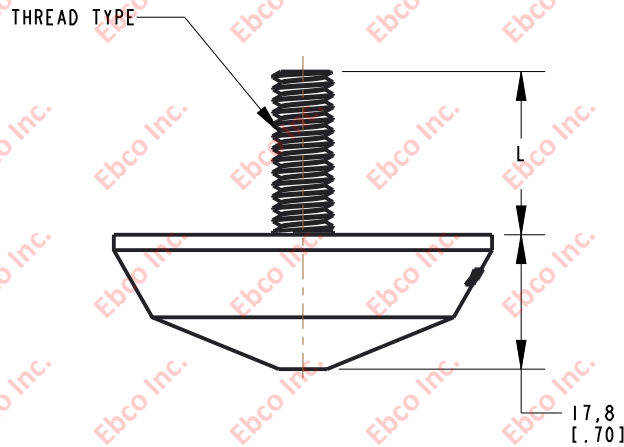
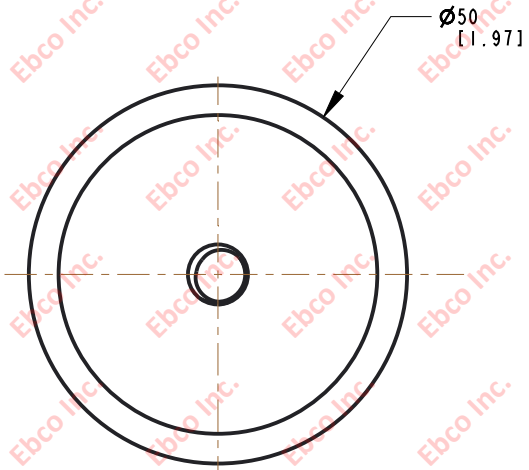


1102

DWG. NO.



HARDWARE SPECIFICATIONS

PART NO.	THREAD TYPE	L
1102-XX-F7	5/16-18	21,6 [±.85]
1102-XX-H9	3/8-16	27,9 [±.10]
1102-XX-O9	M10X1.5	28 [±.10]

AXIAL COMPRESSION SPECIFICATIONS

PART NUMBER		REF MAX. RECOMMENDED STATIC LOAD		REFERENCE STIFFNESS	
NATURAL RUBBER	NEOPRENE	lb	N	lb/in	N/mm
1102-72-XX	1102-82-XX	19	85	271	47
1102-76-XX	1102-86-XX	45	200	643	112



TITLE: 1102

THE INFORMATION CONTAINED IN THIS DRAWING IS THE SOLE PROPERTY OF EBCO ANY REPRODUCTION IN PART OR AS A WHOLE WITHOUT THE WRITTEN PERMISSION OF EBCO IS PROHIBITED.

TOLERANCES PER RMA STANDARD A3

REV. E

DATE: 06-14-21

UNITS: mm [INCH]

1330 HOLMES RD. ELGIN, IL 60123

SPECIFICATIONS SUBJECT TO CHANGE