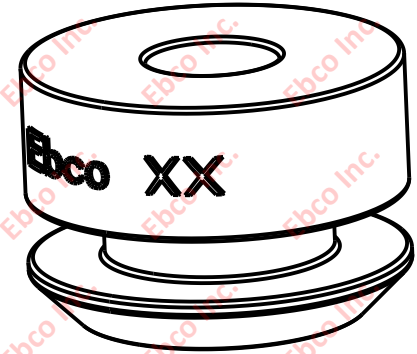
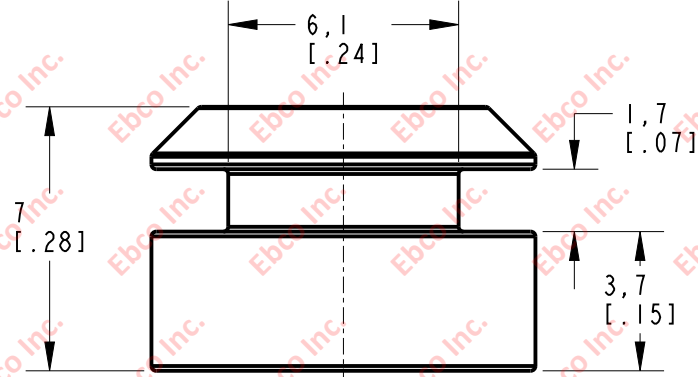



2003

Ø10,2  
[.40]

Ø3,6  
[.14]



\*AVAILABLE IN A VARIETY OF MATERIALS AND STIFFNESS

	TITLE: 2003	
	<small>THE INFORMATION CONTAINED IN THIS DRAWING IS THE SOLE PROPERTY OF EBCO ANY REPRODUCTION IN PART OR AS A WHOLE WITHOUT THE WRITTEN PERMISSION OF EBCO IS PROHIBITED.</small>	
	TOLERANCES PER RMA STANDARD A3	REV. <b>A</b> DATE: 12-18-23 UNITS: mm [INCH]
	1330 HOLMES RD. ELGIN, IL 60123	
SPECIFICATIONS SUBJECT TO CHANGE		