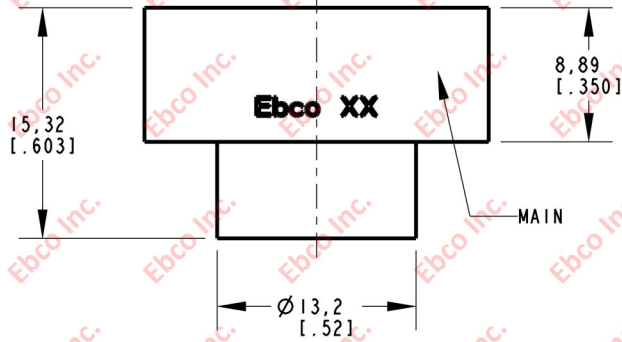
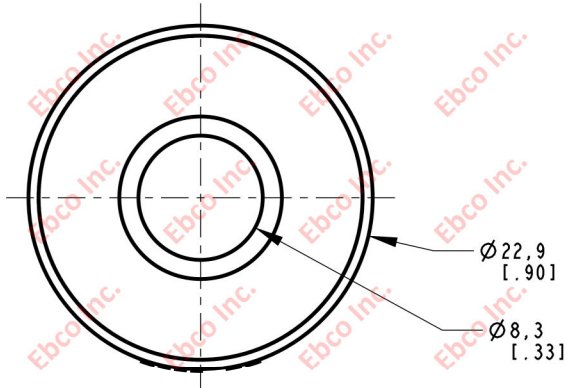
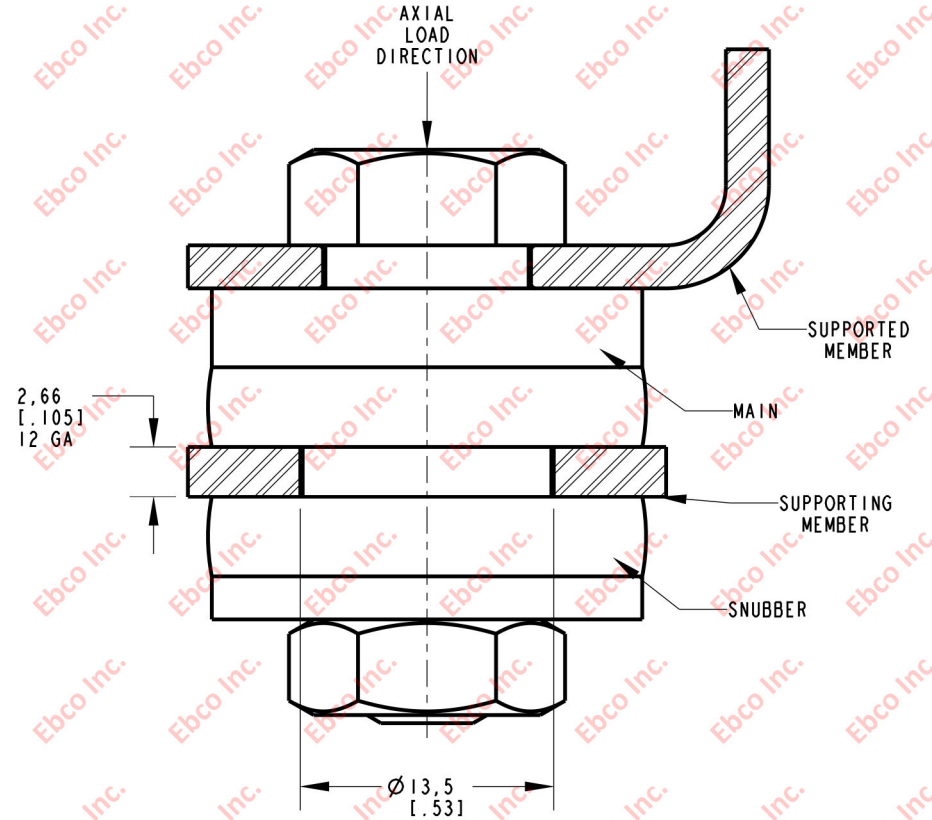


2300

DWG. NO.



INSTALLATION VIEW (Shown under no load)



PERFORMANCE SPECIFICATIONS

PART NUMBER			MAX. AXIAL DEFLECTION		MAX. AXIAL LOAD	
NATURAL RUBBER	NEOPRENE	NITRILE	in	mm	lb	N
2300-72	2300-82	2300-52	0.005	0.13	18	80

INSTALLATION SPECIFICATIONS

RECOMMENDED BOLT INFORMATION				TIGHTENING TORQUE			
ENGLISH		METRIC		CLAMP LOAD		TIGHTENING TORQUE	
SIZE	GRADE	SIZE	CLASS	lb	N	ft-lb	N-m
5/16	5	M8	9.8	3341	17.4	17.8	28.55



TITLE: 2300
 THE INFORMATION CONTAINED IN THIS DRAWING IS THE SOLE PROPERTY OF EBCO AND REPRODUCTION IN PART OR AS A WHOLE WITHOUT THE WRITTEN PERMISSION OF EBCO IS PROHIBITED.
 TOLERANCES PER RMA STANDARD A3
 REV. E
 DATE: 07-18-23
 UNITS: mm [INCH]
 1330 HOLMES RD. ELGIN, IL 60123

SPECIFICATIONS SUBJECT TO CHANGE