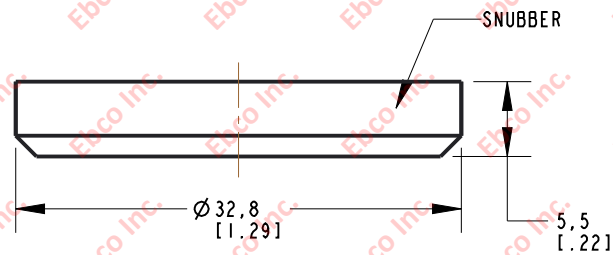
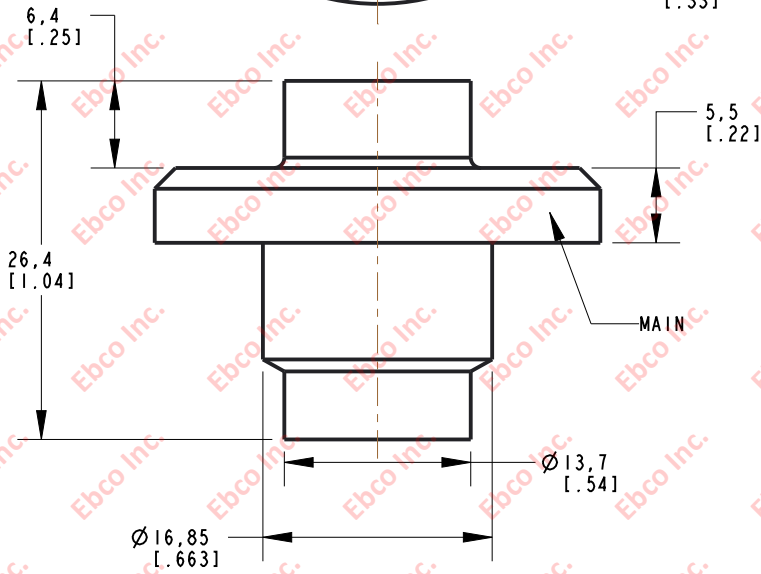
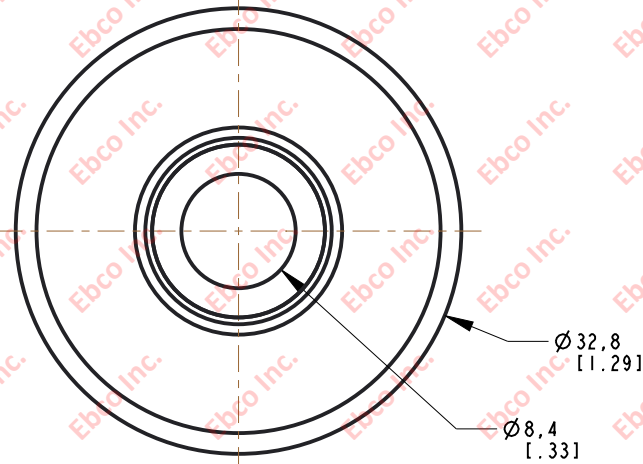


2306

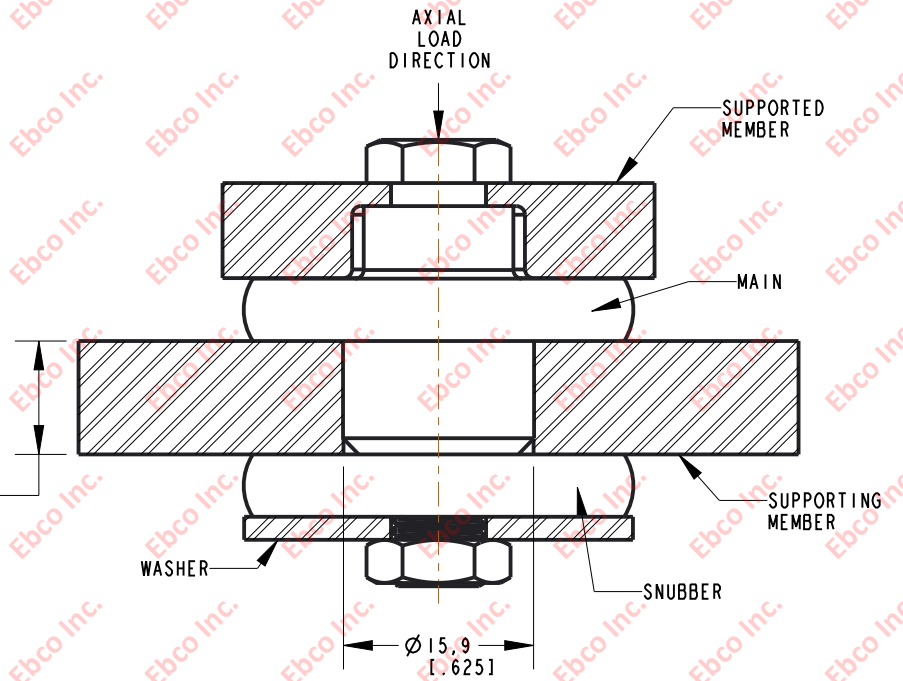
DWG. NO.

B

A



INSTALLATION VIEW (Shown under no load)



B

A

PART NO.	DUROMETER (SHORE A)
NATURAL RUBBER	±5
2306-75	60



TITLE:	2306
THE INFORMATION CONTAINED IN THIS DRAWING IS THE SOLE PROPERTY OF EBCO ANY REPRODUCTION IN PART OR AS A WHOLE WITHOUT THE WRITTEN PERMISSION OF EBCO IS PROHIBITED.	
TOLERANCES PER RMA STANDARD A3	REV. E
DATE: 06-09-21	UNITS: mm [INCH]
1330 HOLMES RD. ELGIN, IL 60123	
SPECIFICATIONS SUBJECT TO CHANGE	

2