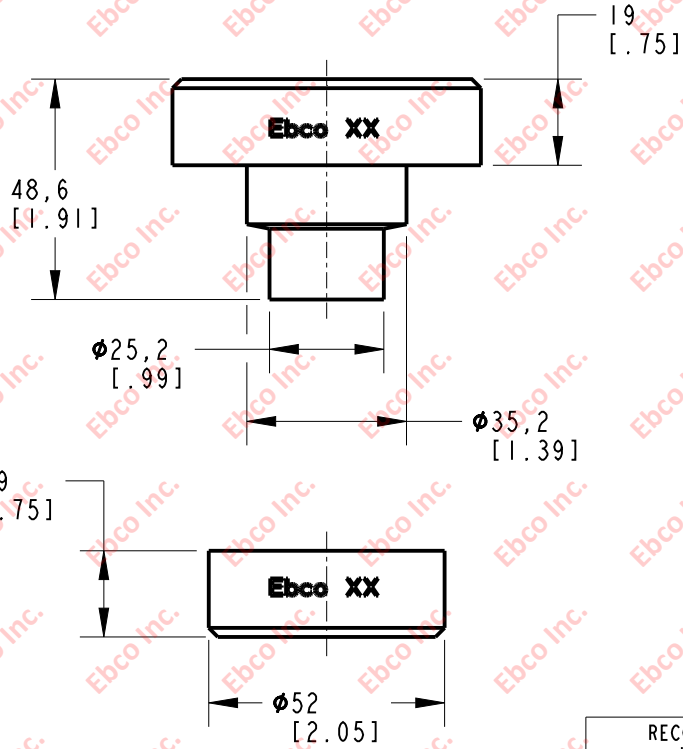
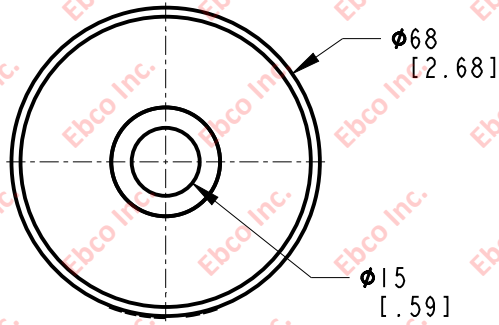
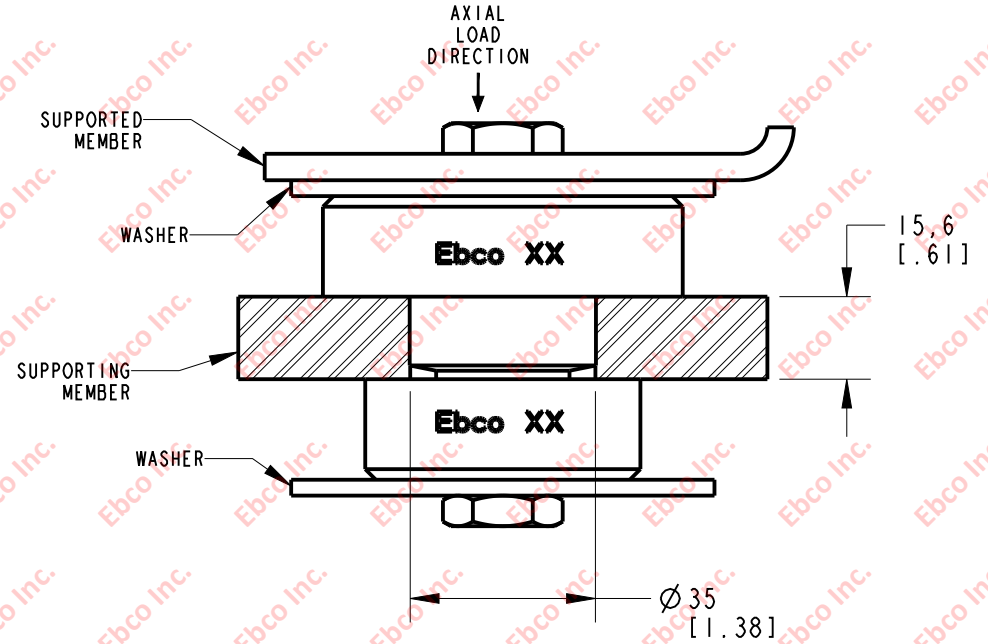


2338



INSTALLATION VIEW (Shown under no load)



SPECIFICATIONS

PART NUMBER		MAX. AXIAL DEFLECTION		MAX. AXIAL LOAD	
NATURAL RUBBER	NEOPRENE	mm	in	N	LB
2338-75	2338-85			2669	600
2338-76	2338-86	1,9	.07	3336	750
2338-77	2338-87			4115	925

RECOMMENDED BOLT INFORMATION				TIGHTENING TORQUE			
METRIC		ENGLISH		CLAMP LOAD		TIGHTENING TORQUE	
SIZE	CLASS	SIZE	GRADE	N	lb	ft-lb	N-m
M14	10.9	9/16	8	71600	16380	154	200
WASHER SPECIFICATIONS							
O.D.		I.D.		THICKNESS			
mm	in	mm	in	mm	in		
80,0	3.15	15,0	0.59	3,0	0.12		



TITLE:	2338
THE INFORMATION CONTAINED IN THIS DRAWING IS THE SOLE PROPERTY OF EBCO ANY REPRODUCTION IN PART OR AS A WHOLE WITHOUT THE WRITTEN PERMISSION OF EBCO IS PROHIBITED.	
TOLERANCES PER RMA STANDARD A3	REV. A
DATE: 07-21-22	UNITS: mm [INCH]
1330 HOLMES RD. ELGIN, IL 60123	
SPECIFICATIONS SUBJECT TO CHANGE	