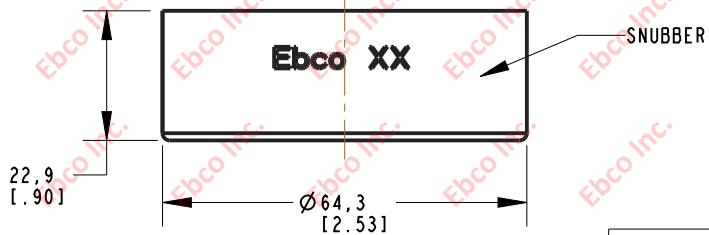
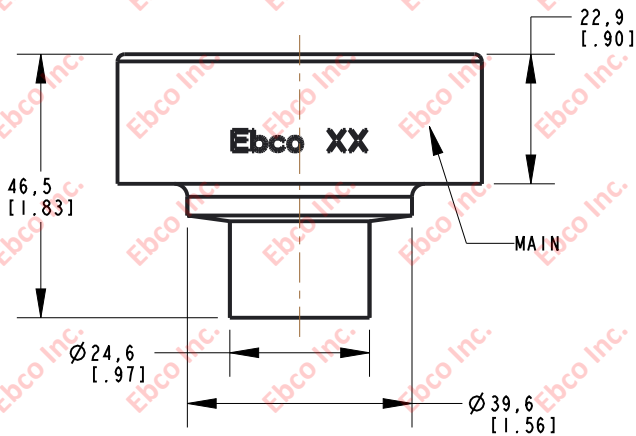
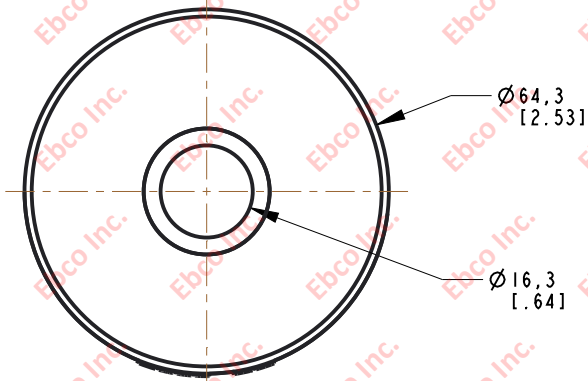
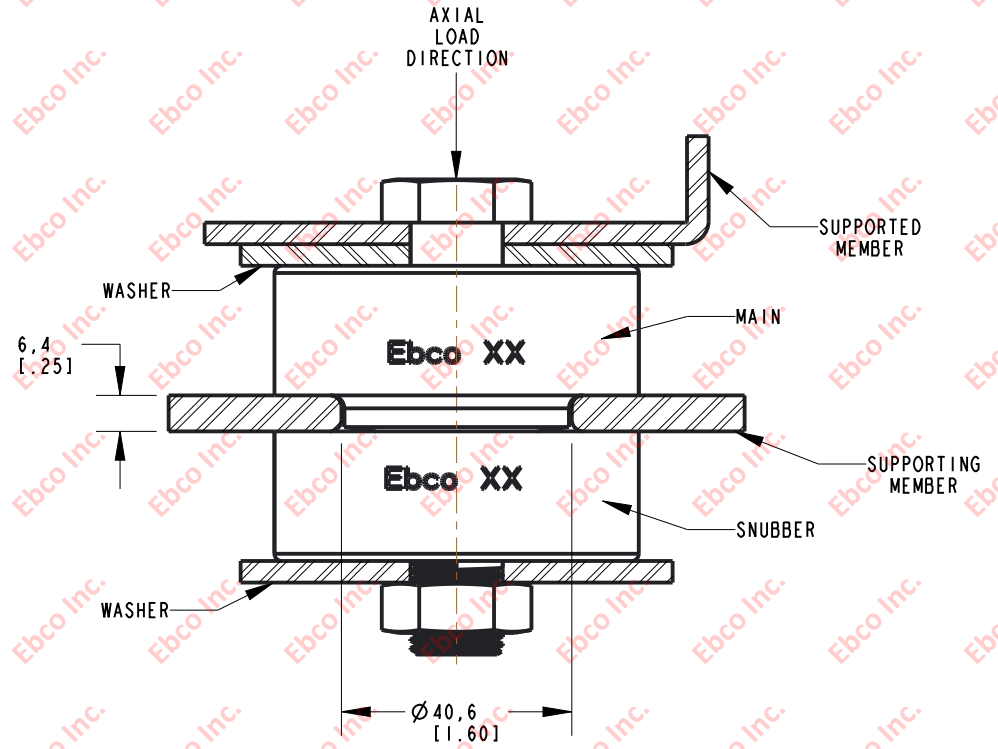


2344A



INSTALLATION VIEW (Shown under no load)



INSTALLATION DIMENSIONS

SPECIFICATIONS

| PART NUMBER | | MAX. AXIAL DEFLECTION | | MAX. AXIAL LOAD | |
|----------------|----------|-----------------------|------|-----------------|------|
| NATURAL RUBBER | NEOPRENE | in | mm | lb | N |
| 2344A-72 | 2344A-82 | .09 | 2.29 | 440 | 1957 |
| 2344A-73 | 2344A-83 | | | 520 | 2314 |
| 2344A-74 | 2344A-84 | | | 615 | 2736 |
| 2344A-75 | 2344A-85 | | | 730 | 3248 |
| 2344A-76 | 2344A-86 | | | 870 | 3870 |

| RECOMMENDED BOLT INFORMATION | | | | TIGHTENING TORQUE | | | |
|------------------------------|-------|--------|-------|-------------------|-------|-------------------|-----|
| ENGLISH | | METRIC | | CLAMP LOAD | | TIGHTENING TORQUE | |
| SIZE | GRADE | SIZE | CLASS | lb | N | ft-lb | N-m |
| 5/8 | 5 | M16 | 9.8 | 14408 | 64090 | 150 | 203 |

WASHER SPECIFICATIONS

| O. D. | | I. D. | | THICKNESS | |
|-------|-------|-------|-------|-----------|------|
| in | mm | in | mm | in | mm |
| 2.81 | 71.37 | .657 | 16.69 | .188 | 4.78 |



| | | | |
|---|--------|----------------|------------------|
| TITLE: | 2344A | | |
| THE INFORMATION CONTAINED IN THIS DRAWING IS THE SOLE PROPERTY OF EBCO ANY REPRODUCTION IN PART OR AS A WHOLE WITHOUT THE WRITTEN PERMISSION OF EBCO IS PROHIBITED. | | | |
| TOLERANCES PER RMA STANDARD A3 | REV. C | DATE: 07-19-21 | UNITS: mm [INCH] |
| 1330 HOLMES RD. ELGIN, IL 60123 | | | |

SPECIFICATIONS SUBJECT TO CHANGE