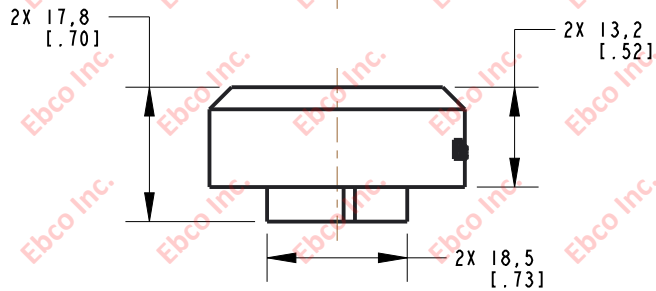
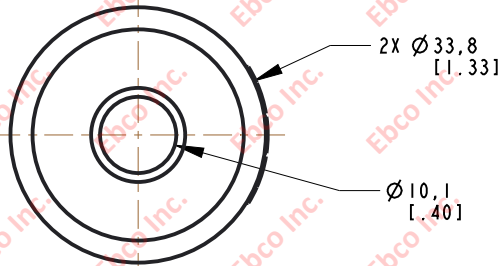
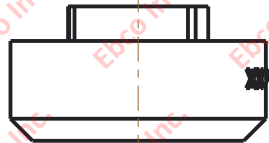
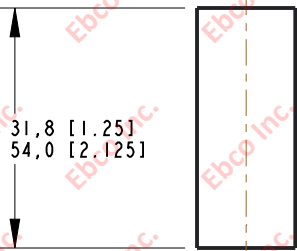


2405

DRG. NO.



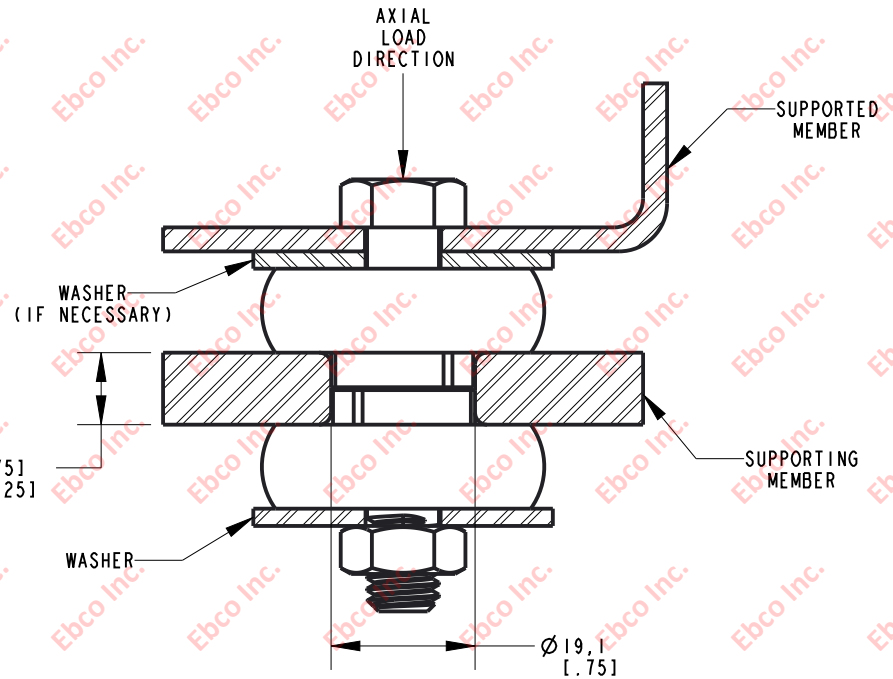
2405-XX : 31,8 [1.25]  
2405-XX-B : 54,0 [2.125]



**SPECIFICATIONS**

PART NUMBER		MAX. AXIAL DEFLECTION		MAX. AXIAL LOAD	
NATURAL RUBBER	NEOPRENE	in	mm	lb	N
2405-73	2405-83	.05	1.27	125	556

**INSTALLATION VIEW (Shown under no load)**



2405-XX : 9,5 [0.375]  
2405-XX-B : 31,75 [1.25]

**INSTALLATION DIMENSIONS**

RECOMMENDED BOLT INFORMATION				TIGHTENING TORQUE			
ENGLISH		METRIC		CLAMP LOAD		TIGHTENING TORQUE	
SIZE	GRADE	SIZE	CLASS	lb	N	ft-lb	N-m
3/8	5	M10	9.8	4941	21979	30.9	41.7
WASHER SPECIFICATIONS							
O. D.		I. D.		THICKNESS			
in	mm	in	mm	in	mm		
1.56	39.62	.391	9.93	.09	2.29		



TITLE:	2405	
THE INFORMATION CONTAINED IN THIS DRAWING IS THE SOLE PROPERTY OF EBCO ANY REPRODUCTION IN PART OR AS A WHOLE WITHOUT THE WRITTEN PERMISSION OF EBCO IS PROHIBITED.		
TOLERANCES PER RMA STANDARD A3	REV. <b>B</b>	DATE: 06-09-21
		UNITS: mm [INCH]
1330 HOLMES RD. ELGIN, IL 60123		

SPECIFICATIONS SUBJECT TO CHANGE