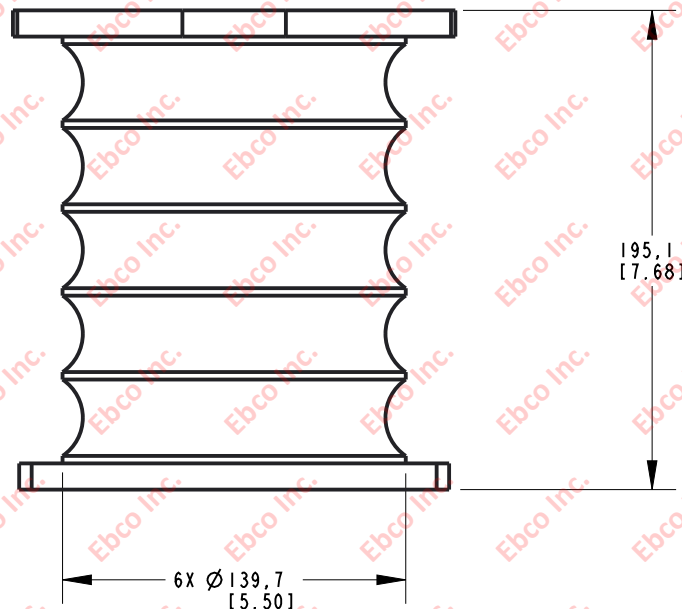
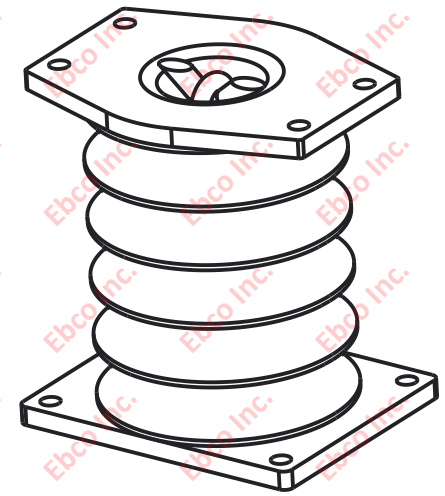
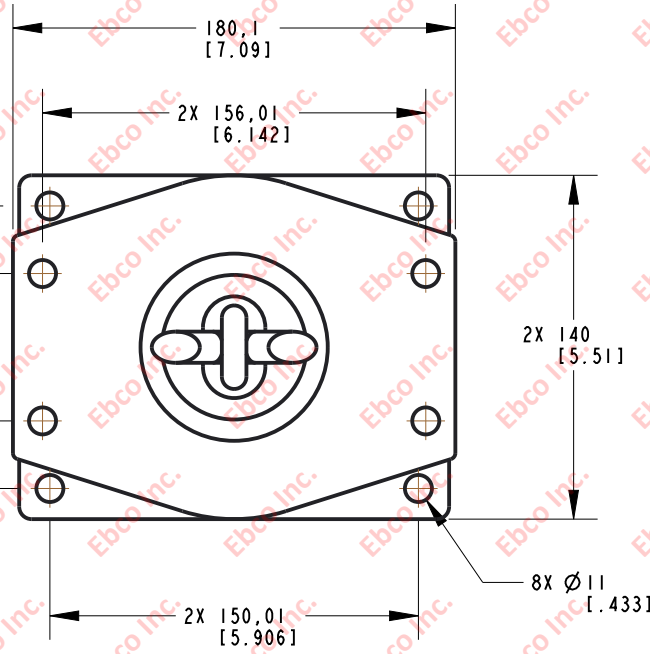


4480

DWG. NO.

B

A



PART NUMBER	
NATURAL RUBBER	NEOPRENE
4480-76	4480-86
4480-77	4480-87
4480-78	4480-88



TITLE:	4480
THE INFORMATION CONTAINED IN THIS DRAWING IS THE SOLE PROPERTY OF EBCO ANY REPRODUCTION IN PART OR AS A WHOLE WITHOUT THE WRITTEN PERMISSION OF EBCO IS PROHIBITED.	
TOLERANCES PER RMA STANDARD A3	REV. B
DATE: 06-10-21	UNITS: mm [INCH]
1330 HOLMES RD. ELGIN, IL 60123	

SPECIFICATIONS SUBJECT TO CHANGE

2

B

A