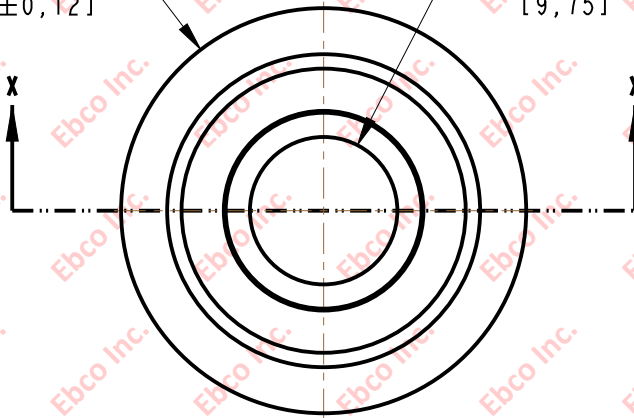


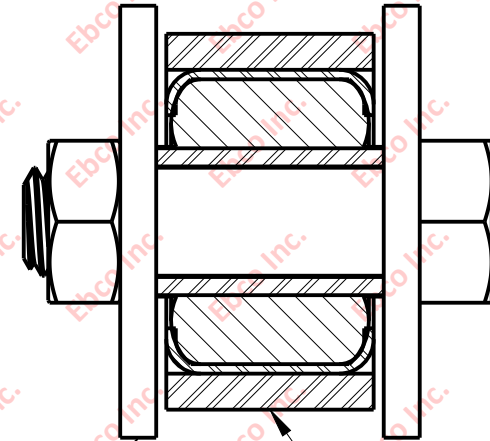
5148

$\varnothing 1.055 \pm .005$   
[26,8 ± 0,12]

$\varnothing .384$   
[9,75]



INSTALLATION VIEW (Shown under no load)

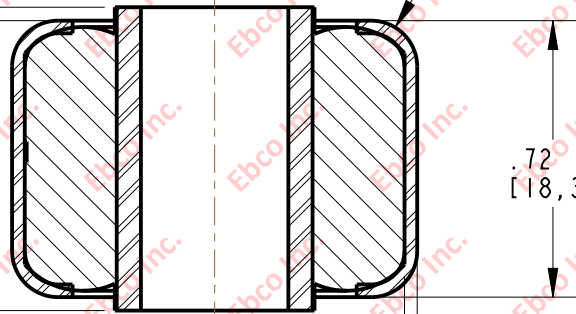


2X .010 MIN  
[2,5]

2X R.12  
[3]

.79  
[20,1]

.72  
[18,3]



SECTION X-X  
.033 [0,84] (21 GA)

SPECIFICATIONS

PART NUMBER		MAX. RADIAL DEFLECTION		MAX. RADIAL LOAD	
NATURAL RUBBER	NEOPRENE	i n	mm	l b	N
5148-75	5148-85	.01	.25	50	222
5148-77	5148-87			55	245



TITLE: 5148	
THE INFORMATION CONTAINED IN THIS DRAWING IS THE SOLE PROPERTY OF EBCO ANY REPRODUCTION IN PART OR AS A WHOLE WITHOUT THE WRITTEN PERMISSION OF EBCO IS PROHIBITED.	
TOLERANCES PER RMA STANDARD A3	REV. C
DATE: 07-20-17	UNITS: INCH [MM]
1330 HOLMES RD. ELGIN, IL 60123	

SPECIFICATIONS SUBJECT TO CHANGE