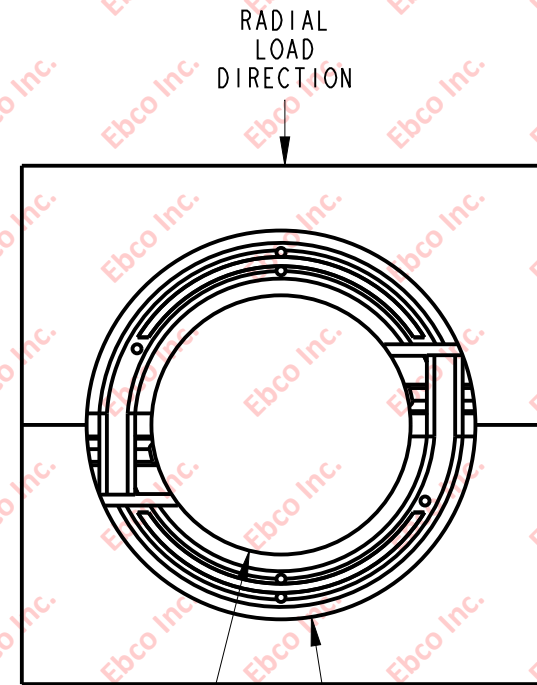
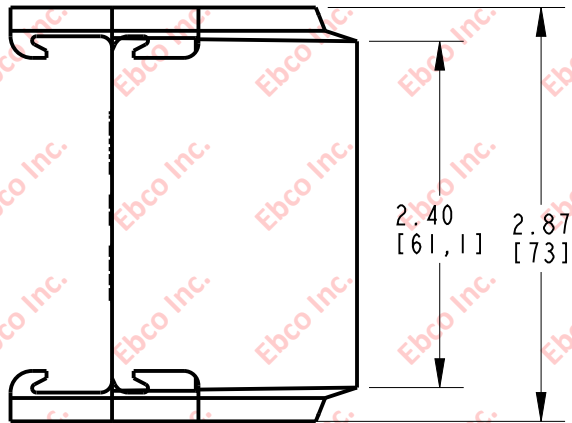
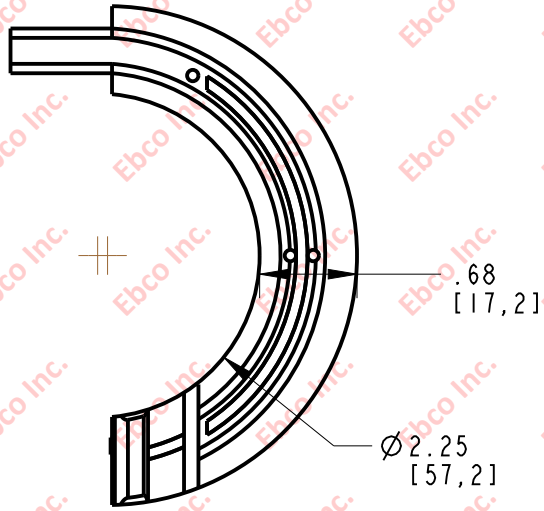


5348

DRG. NO.



$\text{Ø} 2.25$  SWAY BAR [57, 2]

$\text{Ø} 3.375$  HOUSING I. D. [85, 73]

REQUIRES 2 PIECES FOR ASSEMBLY

\*AVAILABLE IN A VARIETY OF MATERIALS AND STIFFNESS



TITLE: 5348	
THE INFORMATION CONTAINED IN THIS DRAWING IS THE SOLE PROPERTY OF EBSCO. ANY REPRODUCTION IN PART OR AS A WHOLE WITHOUT THE WRITTEN PERMISSION OF EBSCO IS PROHIBITED.	
TOLERANCES PER RMA STANDARD A3	REV. A
DATE: 04-14-20	UNITS: INCH [MM]
1330 HOLMES RD. ELGIN, IL 60123	

SPECIFICATIONS SUBJECT TO CHANGE