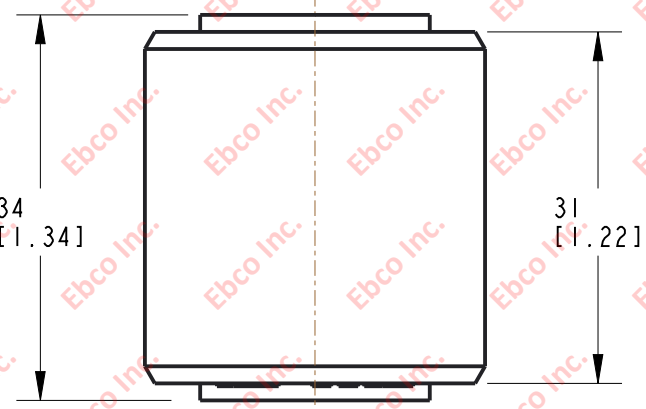
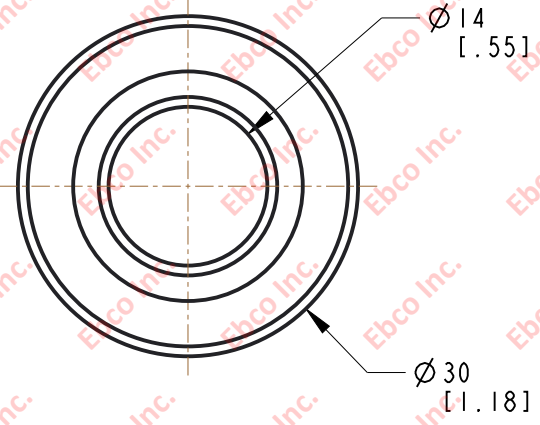


5505


DRG. NO.

B

A



*AVAILABLE IN A VARIETY OF MATERIALS AND STIFFNESS

	TITLE: 5505	
	<small>THE INFORMATION CONTAINED IN THIS DRAWING IS THE SOLE PROPERTY OF EBCO. ANY REPRODUCTION IN PART OR AS A WHOLE WITHOUT THE WRITTEN PERMISSION OF EBCO IS PROHIBITED.</small>	
	TOLERANCES PER RMA STANDARD A3	REV. A DATE: 04-10-23 UNITS: mm [INCH]
	1330 HOLMES RD. ELGIN, IL 60123	
SPECIFICATIONS SUBJECT TO CHANGE		

2

B

A