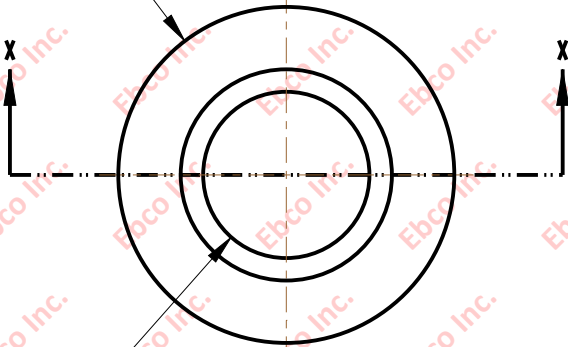
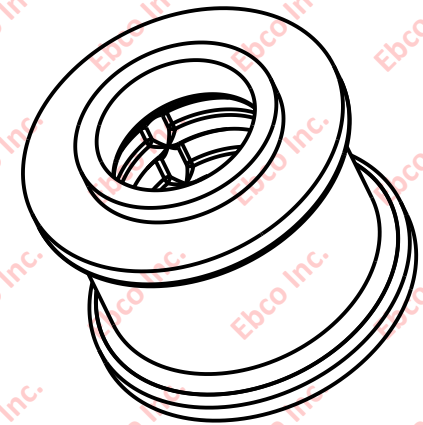


5510

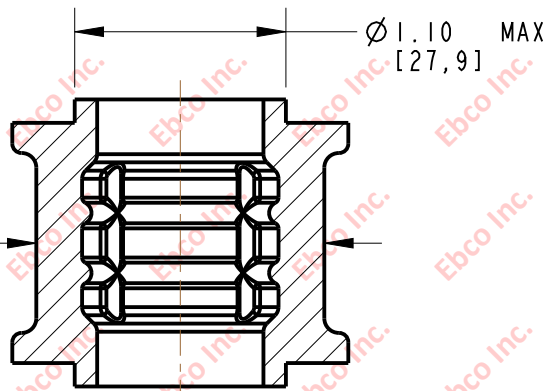
Ø 1.75
[44,5]



Ø .866
[22]

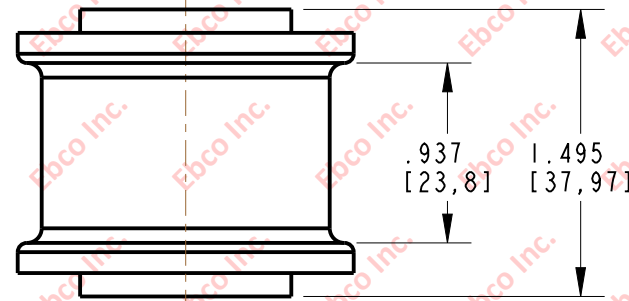


SCALE 1.000



Ø 1.10 MAX
[27,9]

Ø 1.50
[38,1]



.937
[23,8]

1.495
[37,97]



TITLE: 5510	
THE INFORMATION CONTAINED IN THIS DRAWING IS THE SOLE PROPERTY OF EBCO ANY REPRODUCTION IN PART OR AS A WHOLE WITHOUT THE WRITTEN PERMISSION OF EBCO IS PROHIBITED.	
TOLERANCES PER RMA STANDARD A3	REV. A
DATE: 08-08-17	UNITS: INCH [MM]
1330 HOLMES RD. ELGIN, IL 60123	

*AVAILABLE IN A VARIETY OF MATERIALS, HARDWARE, AND STIFFNESS

SPECIFICATIONS SUBJECT TO CHANGE