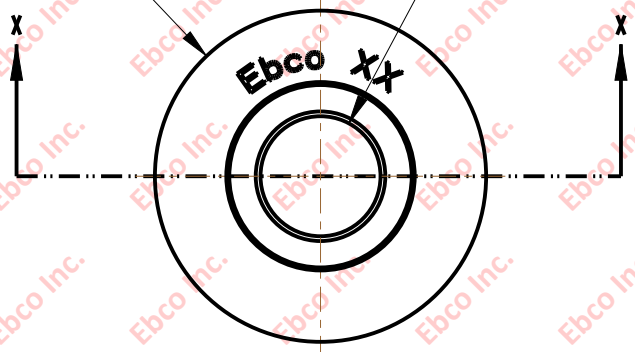


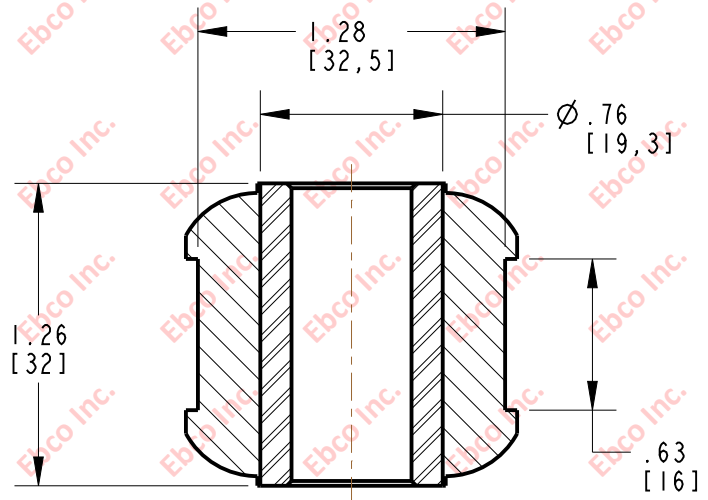
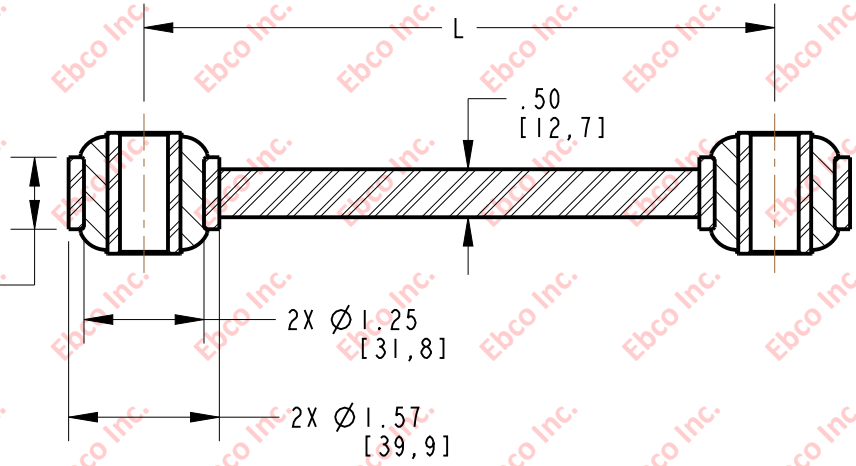
5720

IMP. NO.

$\varnothing 1.38$
[35,11] $\varnothing .50$
[12,7]



2X .75
[19,1]



SECTION X-X



TITLE: 5720	
THE INFORMATION CONTAINED IN THIS DRAWING IS THE SOLE PROPERTY OF EBCRO. ANY REPRODUCTION IN PART OR AS A WHOLE WITHOUT THE WRITTEN PERMISSION OF EBCRO IS PROHIBITED.	
TOLERANCES PER RMA STANDARD A3	REV. A
DATE: 09-01-16	UNITS: INCH [MM]
1330 HOLMES RD. ELGIN, IL 60123	

*AVAILABLE IN A VARIETY OF MATERIALS, STIFFNESS AND CONNECTING ROD GEOMETRY

SPECIFICATIONS SUBJECT TO CHANGE