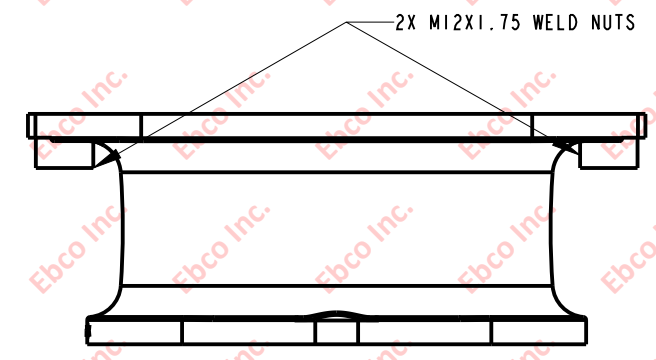
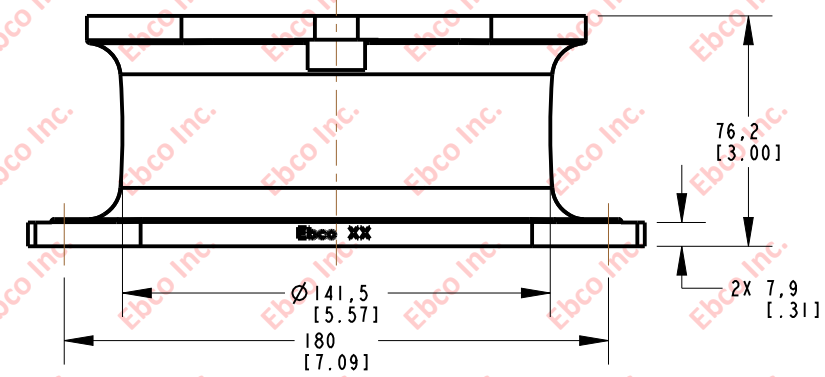
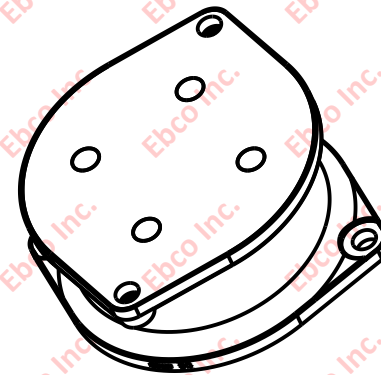
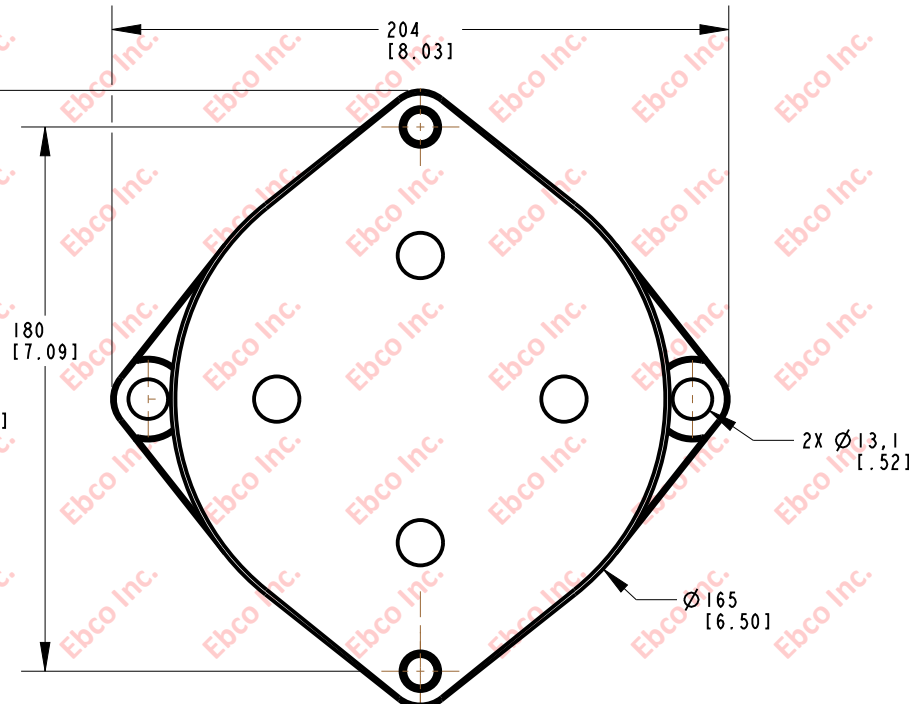


6802

DRG. NO.

B

A



PART NUMBER	SHEAR STIFFNESS
NATURAL RUBBER	N/mm [LBS/IN]
6802-73	175 [1000]
6802-74	228 [1300]
6802-75	228 [1700]

TITLE: 6802

THE INFORMATION CONTAINED IN THIS DRAWING IS THE SOLE PROPERTY OF EBCO. ANY REPRODUCTION IN PART OR AS A WHOLE WITHOUT THE WRITTEN PERMISSION OF EBCO IS PROHIBITED.

TOLERANCES PER RMA STANDARD A3	REV. A	DATE: 08-09-21
		UNITS: mm [INCH]

1330 HOLMES RD. ELGIN, IL 60123

SPECIFICATIONS SUBJECT TO CHANGE